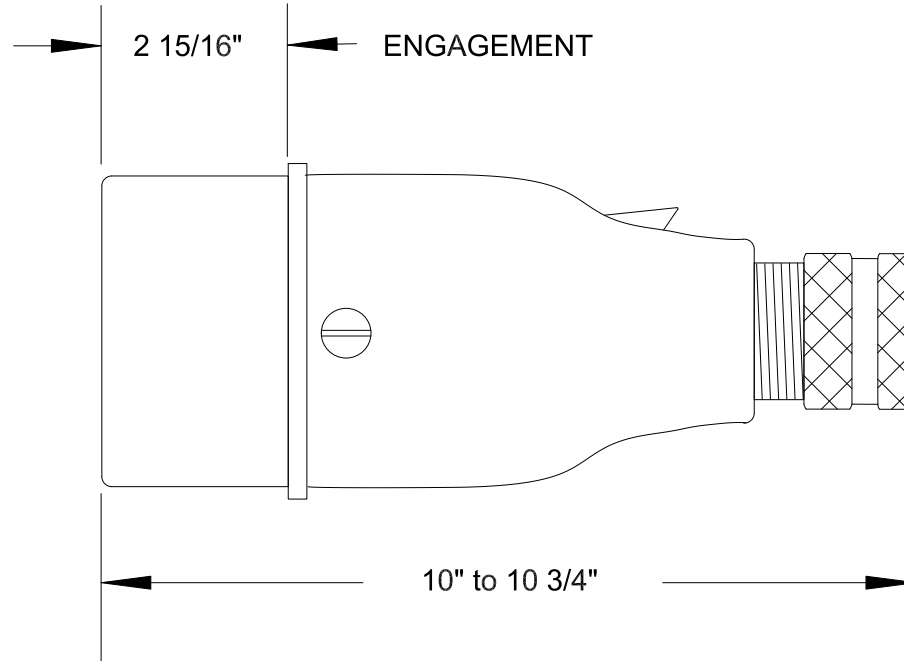
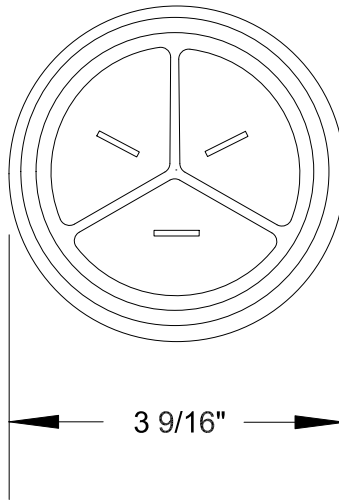


# QUELARC<sup>®</sup> 100 AMP 600 VAC

2 POLE 3 WIRE

SOLDER CONTACTS

1.000" TO 1.375" CABLE RANGE




To order contact:  
 HILLCREST ENTERPRISES, INC.  
 11092 AIR PARK ROAD  
 ASHLAND, VA 23005 USA

Phone: 804-798-8390  
 Fax: 804-752-7830

<http://www.pylenational.co>  
<http://www.plugs.cc>

DRAWING NOT TO SCALE

DRAWN BY	NVS	 HILLCREST ENTERPRISES		
APPROVED	4/14	<b>JPD-1110036</b>		
ISSUED				
RECORD OF ISSUE		SCALE	DRG No.	SHEET
				1 OF 1