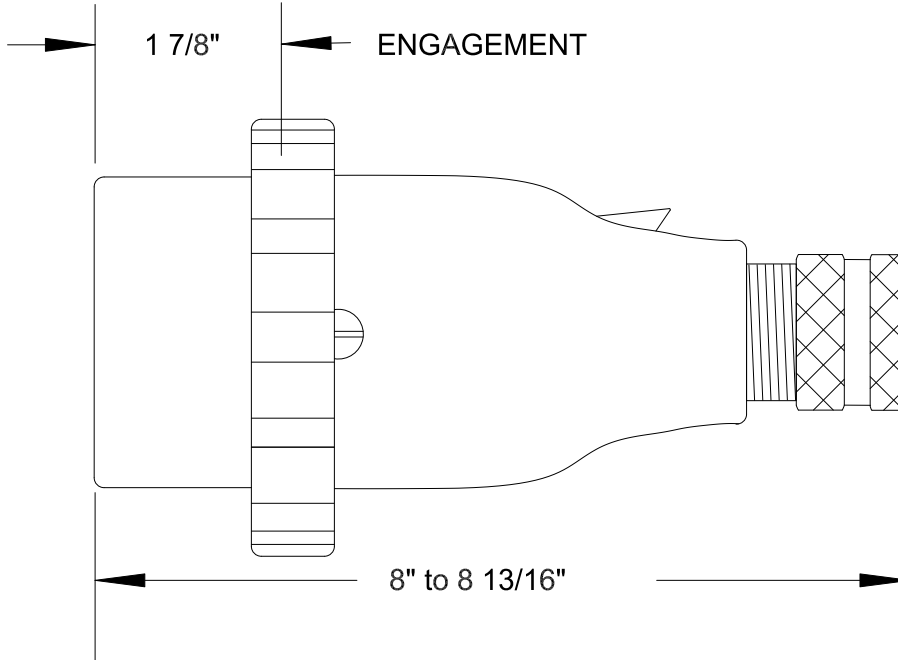
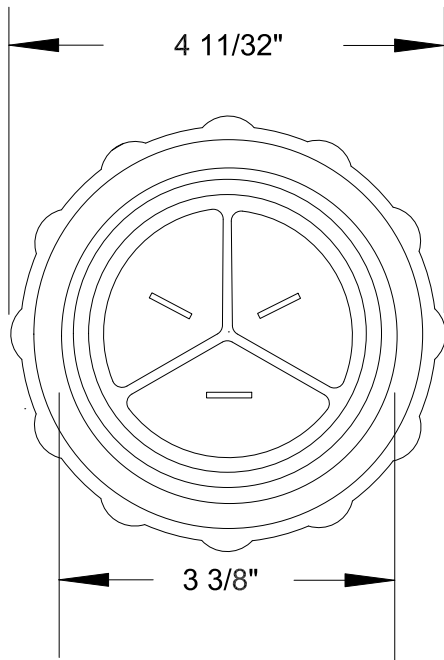


# QUELARC<sup>®</sup> 60 AMP 600 VAC

2 POLE 3 WIRE
SOLDER CONTACTS
1.000" TO 1.375" CABLE RANGE



To order contact:  
 HILLCREST ENTERPRISES, INC.  
 11092 AIR PARK ROAD  
 ASHLAND, VA 23005 USA

Phone: 804-798-8390  
 Fax: 804-752-7830

<http://www.pylenational.co>  
<http://www.plugs.cc>

DRAWING NOT TO SCALE

DRAWN BY NVS	HILLCREST ENTERPRISES		
APPROVED 4/14	<b>JPLD-116036</b>		
ISSUED			
RECORD OF ISSUE	SCALE	DRG No.	SHEET
			1 OF 1