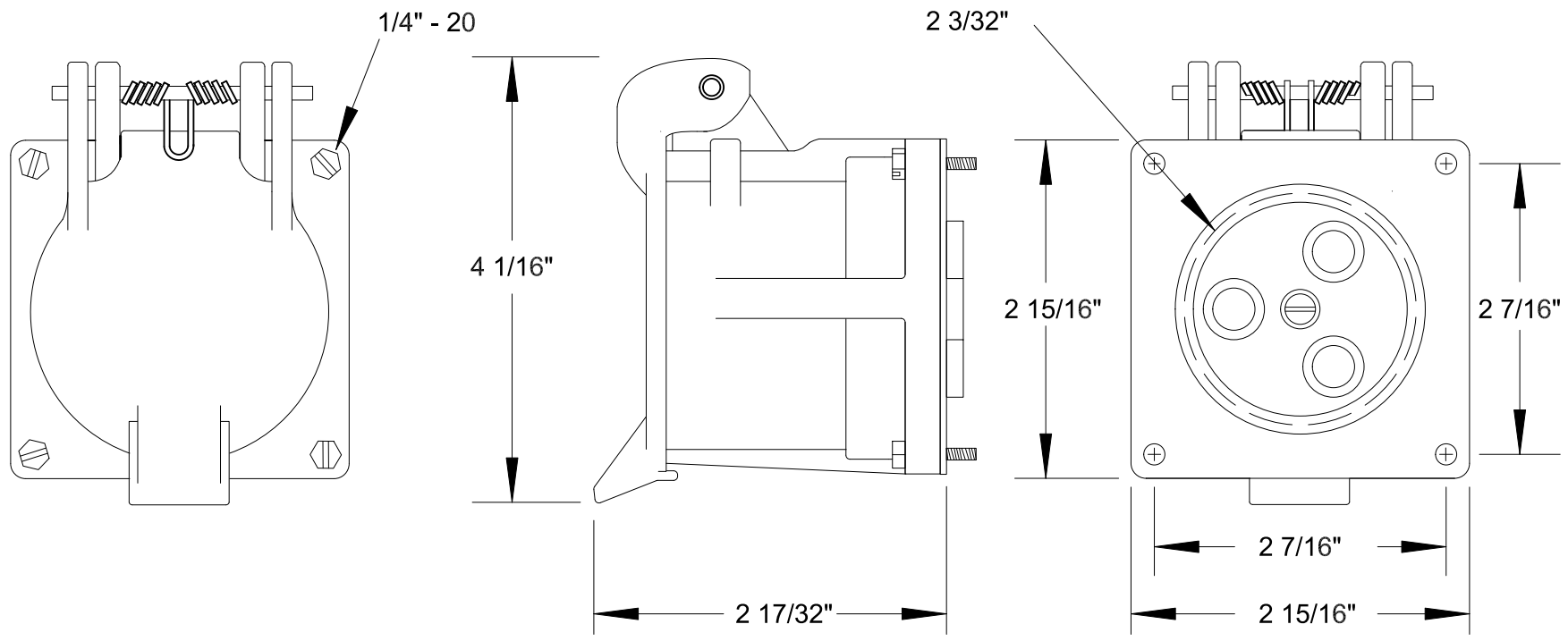


QUELARC[®] 30 AMP 600 VAC

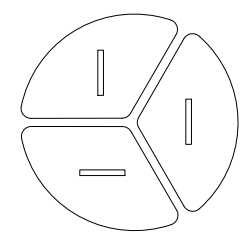
2 POLE 3 WIRE
SOLDER CONTACTS



To order contact:
HILLCREST ENTERPRISES, INC.
 11092 AIR PARK ROAD
 ASHLAND, VA 23005 USA

Phone: 804-798-8390
 Fax: 804-752-7830

<http://www.pylenational.co>
<http://www.plugs.cc>



RECEPTACLE FACE
 DRAWING NOT TO SCALE

DRAWN BY	NVS	HILLCREST ENTERPRISES		
APPROVED	3/15	JRC-330		
ISSUED				
RECORD OF ISSUE		SCALE	DRG No.	SHEET
				1 OF 1