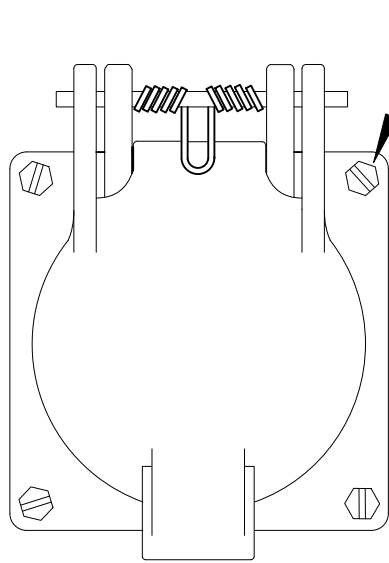
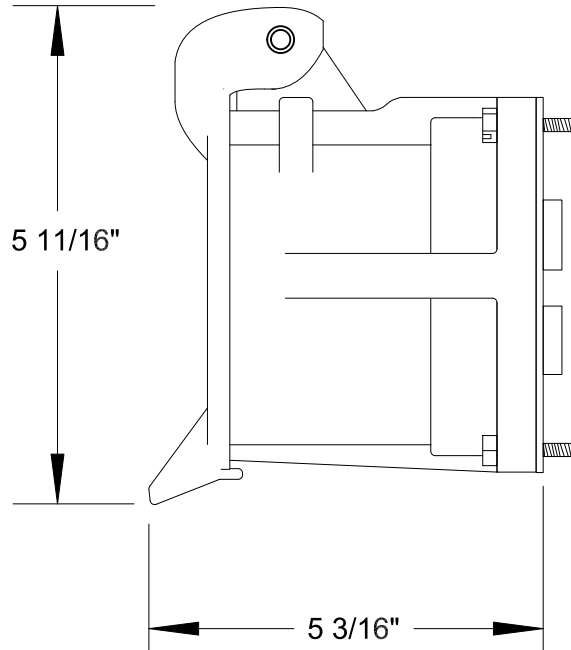


# QUELARC<sup>®</sup> 100 AMP 600 VAC

3 POLE 4 WIRE  
PRESSURE CONTACTS



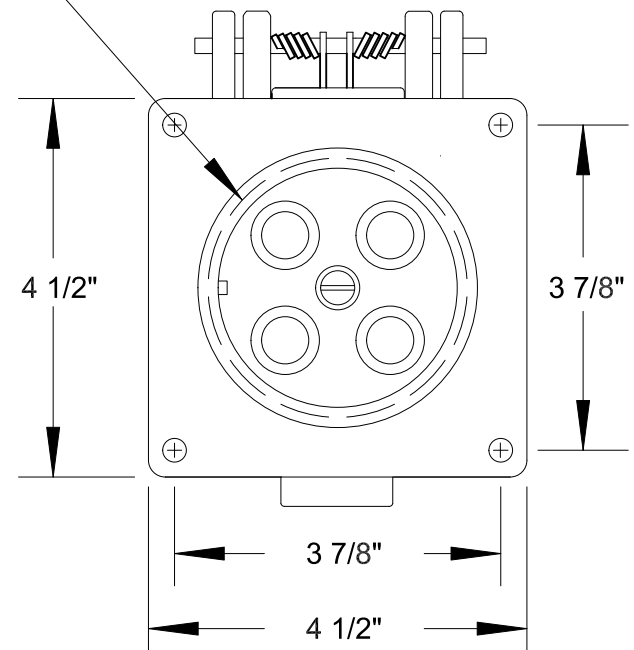
1/4" - 20



5 11/16"

5 3/16"

BORE OF PANEL  
3 15/32"



4 1/2"

3 7/8"

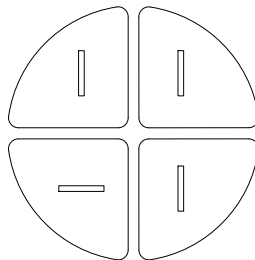
3 7/8"

4 1/2"

To order contact:  
HILLCREST ENTERPRISES, INC.  
11092 AIR PARK ROAD  
ASHLAND, VA 23005 USA

Phone: 804-798-8390  
Fax: 804-752-7830

<http://www.pylenational.co>  
<http://www.plugs.cc>



RECEPTACLE FACE

DRAWING NOT TO SCALE

DRAWN BY NVS

 HILLCREST ENTERPRISES

APPROVED 3/15

**JRC-4100-PR**

ISSUED

RECORD OF ISSUE

SCALE

DRG No.

SHEET

1 OF 1