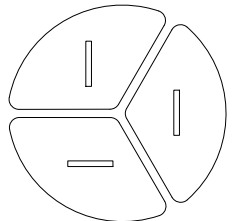
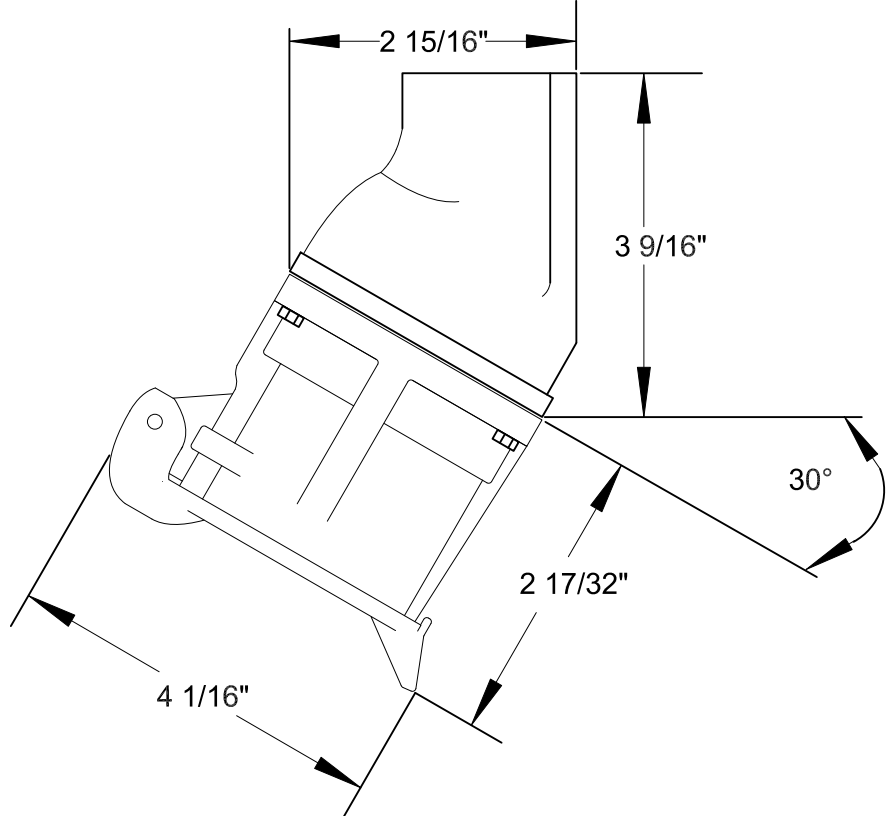
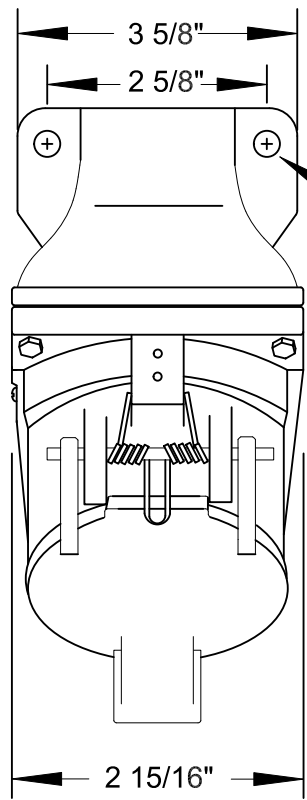


# QUELARC<sup>®</sup> 30 AMP 600 VAC

2 POLE 3 WIRE
SOLDER CONTACTS
1" NPT



RECEPTACLE FACE

DRAWING NOT TO SCALE

To order contact:  
 HILLCREST ENTERPRISES, INC.  
 11092 AIR PARK ROAD  
 ASHLAND, VA 23005 USA

Phone: 804-798-8390  
 Fax: 804-752-7830

<http://www.pylenational.co>  
<http://www.plugs.cc>

DRAWN BY NVS	HILLCREST ENTERPRISES		
APPROVED 4/14	<b>JRCBB-33036</b>		
ISSUED			
RECORD OF ISSUE	SCALE	DRG No.	SHEET
			1 OF 1