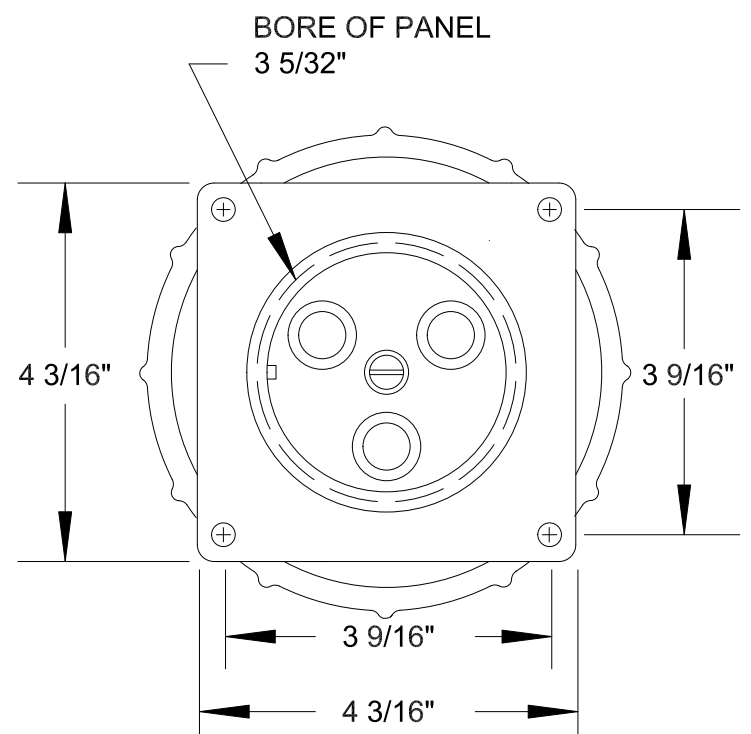
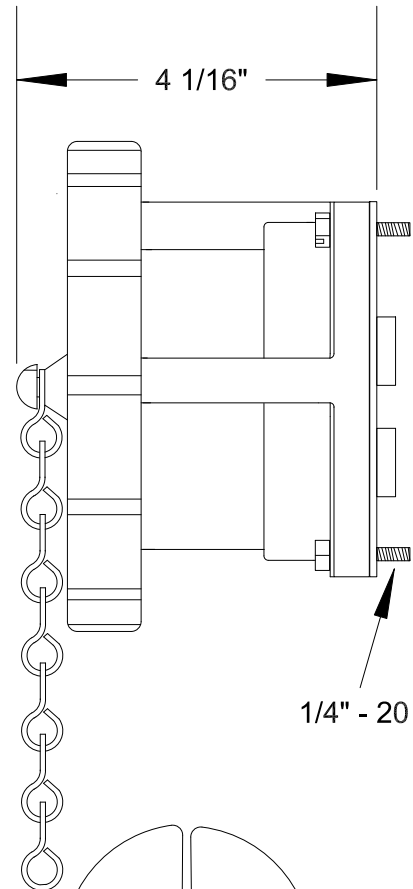


QUELARC[®] 60 AMP 600 VAC

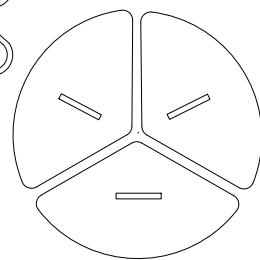
2 POLE 3 WIRE
SOLDER CONTACTS



To order contact:
HILLCREST ENTERPRISES, INC.
11092 AIR PARK ROAD
ASHLAND, VA 23005 USA

Phone: 804-798-8390
Fax: 804-752-7830

<http://www.pylenational.co>
<http://www.plugs.cc>



RECEPTACLE FACE

DRAWING NOT TO SCALE

DRAWN BY	NVS	HILLCREST ENTERPRISES		
APPROVED	3/15	JRE-360		
ISSUED				
RECORD OF ISSUE		SCALE	DRG No.	SHEET
				1 OF 1