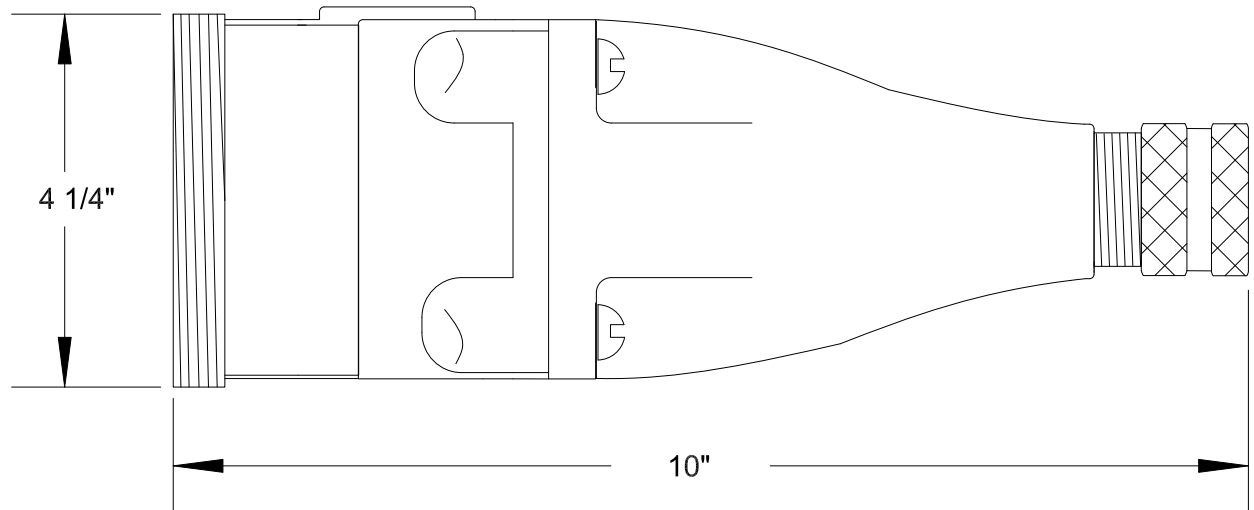
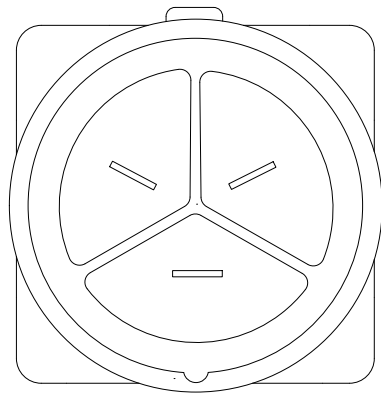


# QUELARC<sup>®</sup> 100 AMP 600 VAC

|                              |
|------------------------------|
| 2 POLE 3 WIRE                |
| SOLDER CONTACTS              |
| 1.375" TO 1.750" CABLE RANGE |



To order contact:  
**HILLCREST ENTERPRISES, INC.**  
 11092 AIR PARK ROAD  
 ASHLAND, VA 23005 USA

Phone: 804-798-8390  
 Fax: 804-752-7830

<http://www.pylenational.co>  
<http://www.plugs.cc>

DRAWING NOT TO SCALE

DRAWN BY NVS



APPROVED 3/15

**JWPLD-1410036**

ISSUED

RECORD OF ISSUE

SCALE

DRG No.

SHEET

1 OF 1