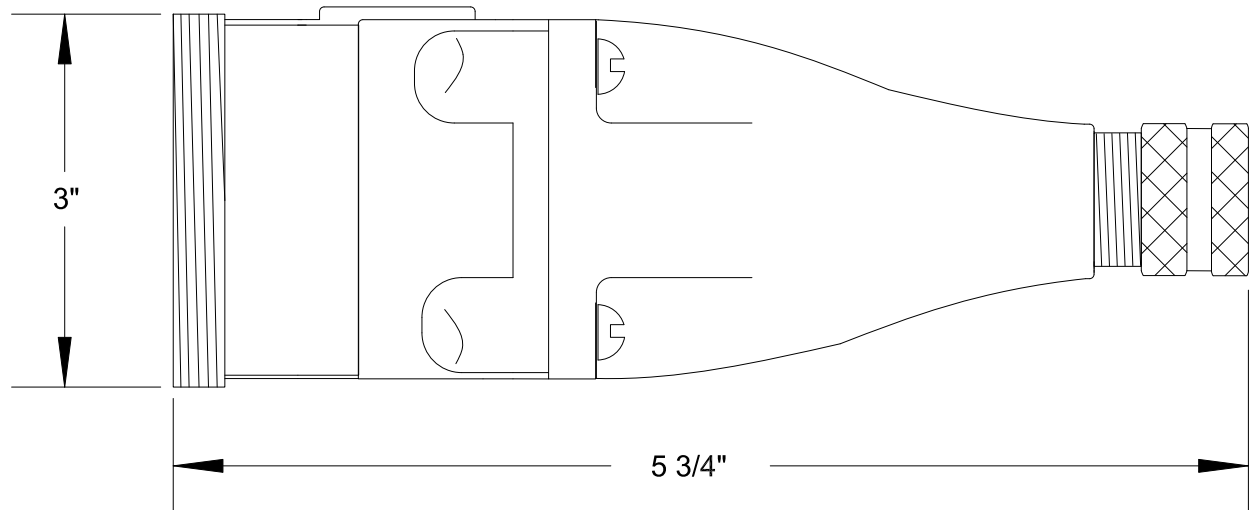
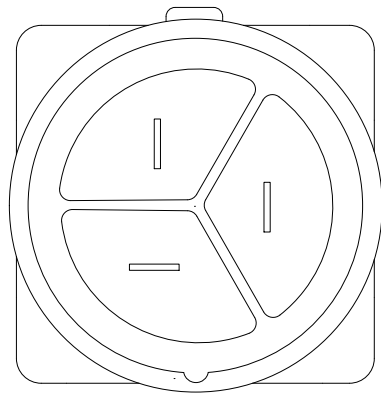


# QUELARC<sup>®</sup> 30 AMP 600 VAC

2 POLE 3 WIRE
SOLDER CONTACTS
.625" TO 1.000" CABLE RANGE




To order contact:  
**HILLCREST ENTERPRISES, INC.**  
 11092 AIR PARK ROAD  
 ASHLAND, VA 23005 USA

Phone: 804-798-8390  
 Fax: 804-752-7830

<http://www.pylenational.co>  
<http://www.plugs.cc>

DRAWING NOT TO SCALE

DRAWN BY	NVS	 HILLCREST ENTERPRISES		
APPROVED	3/15	<b>JWPLD-83036</b>		
ISSUED				
RECORD OF ISSUE		SCALE	DRG No.	SHEET
				1 OF 1