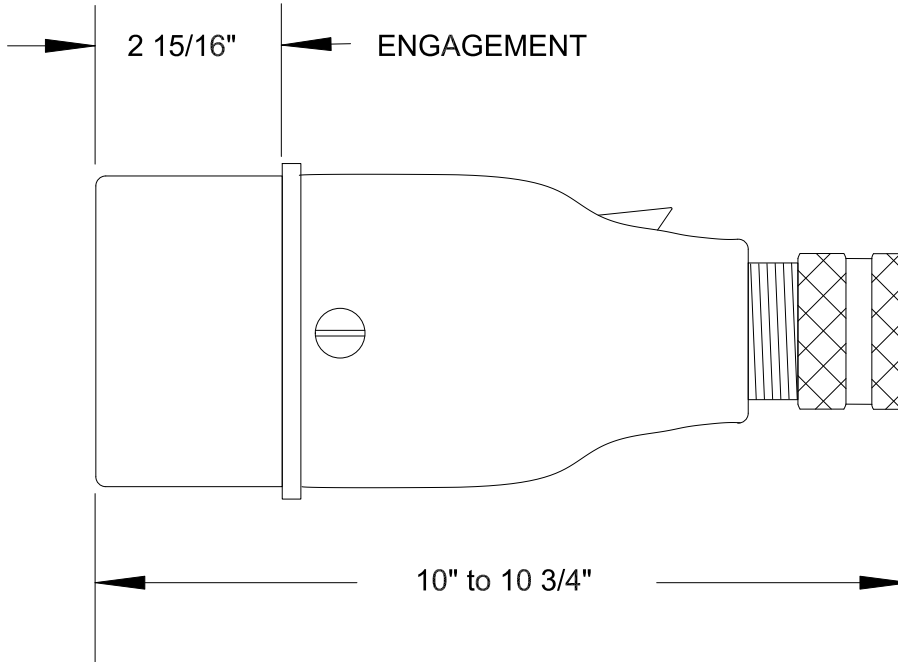
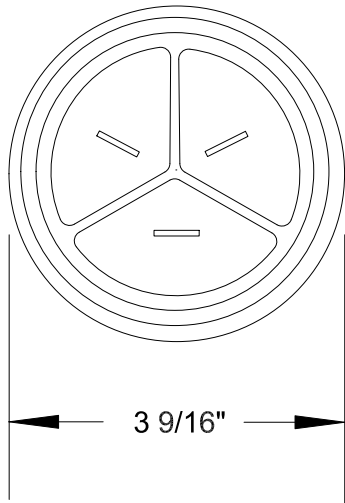


# QUELARC<sup>®</sup> 100 AMP 600 VAC

|                              |
|------------------------------|
| 3 POLE 3 WIRE                |
| SOLDER CONTACTS              |
| 1.000" TO 1.375" CABLE RANGE |



To order contact:  
**HILLCREST ENTERPRISES, INC.**  
 11092 AIR PARK ROAD  
 ASHLAND, VA 23005 USA

Phone: 804-798-8390  
 Fax: 804-752-7830

<http://www.pylenational.co>  
<http://www.plugs.cc>

DRAWING NOT TO SCALE

|                 |      |                       |         |        |
|-----------------|------|-----------------------|---------|--------|
| DRAWN BY        | NVS  | HILLCREST ENTERPRISES |         |        |
| APPROVED        | 4/14 | <b>KPD-1110036</b>    |         |        |
| ISSUED          |      |                       |         |        |
| RECORD OF ISSUE |      | SCALE                 | DRG No. | SHEET  |
|                 |      |                       |         | 1 OF 1 |