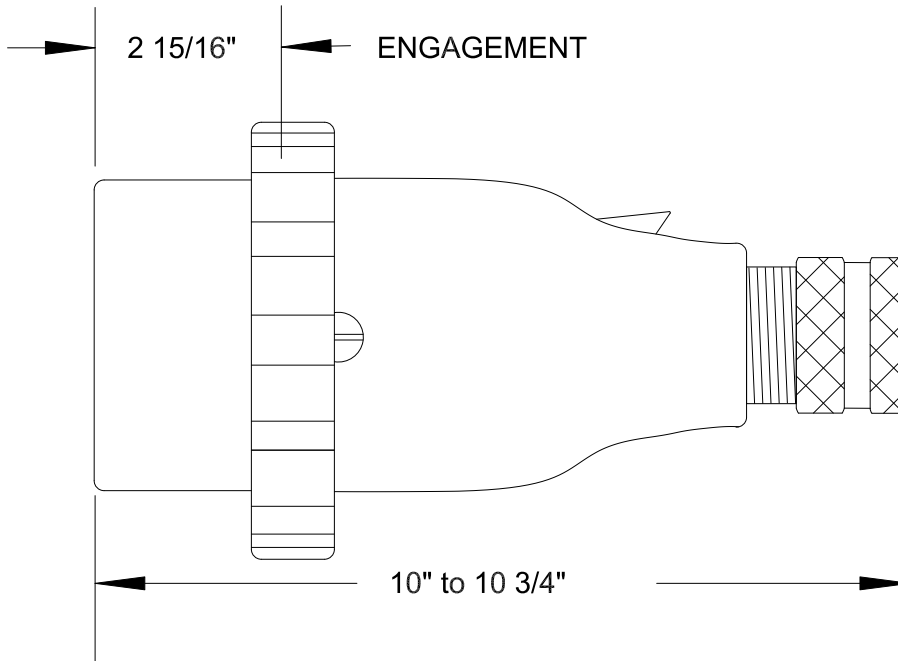
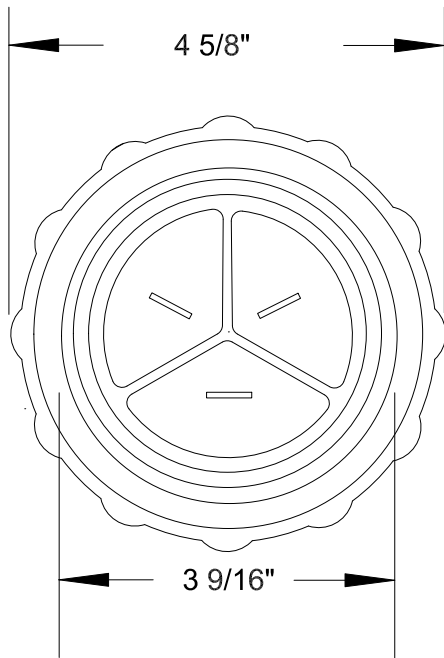


# QUELARC<sup>®</sup> 100 AMP 600 VAC

|                              |
|------------------------------|
| 3 POLE 3 WIRE                |
| SOLDER CONTACTS              |
| 1.375" TO 1.750" CABLE RANGE |



To order contact:  
 HILLCREST ENTERPRISES, INC.  
 11092 AIR PARK ROAD  
 ASHLAND, VA 23005 USA

Phone: 804-798-8390  
 Fax: 804-752-7830

<http://www.pylenational.co>  
<http://www.plugs.cc>

DRAWING NOT TO SCALE

|                 |                       |         |        |
|-----------------|-----------------------|---------|--------|
| DRAWN BY NVS    | HILLCREST ENTERPRISES |         |        |
| APPROVED 4/14   | KPLD-1410036          |         |        |
| ISSUED          |                       |         |        |
| RECORD OF ISSUE | SCALE                 | DRG No. | SHEET  |
|                 |                       |         | 1 OF 1 |