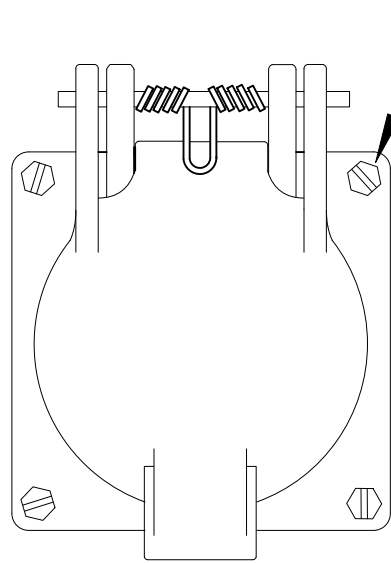
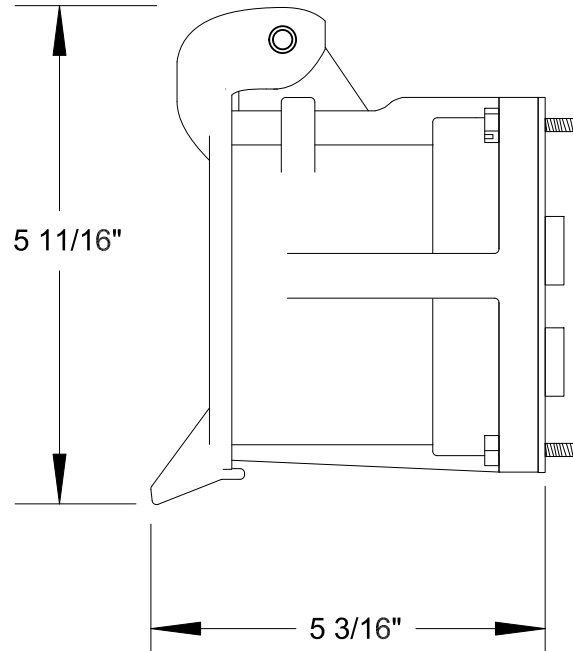


# QUELARC<sup>®</sup> 100 AMP 600 VAC

3 POLE 3 WIRE
SOLDER CONTACTS



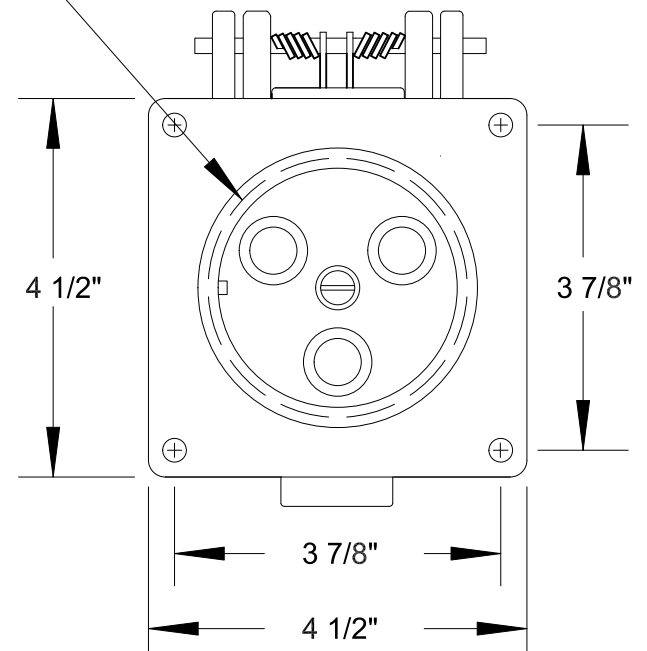
1/4" - 20



5 11/16"

5 3/16"

BORE OF PANEL  
3 15/32"

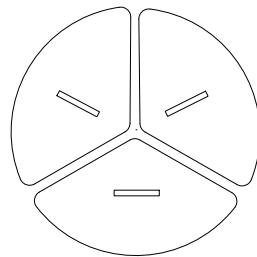


4 1/2"

3 7/8"

3 7/8"

4 1/2"



RECEPTACLE FACE

DRAWING NOT TO SCALE

To order contact:  
**HILLCREST ENTERPRISES, INC.**  
 11092 AIR PARK ROAD  
 ASHLAND, VA 23005 USA

Phone: 804-798-8390  
 Fax: 804-752-7830

<http://www.pylenational.co>  
<http://www.plugs.cc>

DRAWN BY NVS

 **HILLCREST ENTERPRISES**

APPROVED 3/15

**KRC-3100**

ISSUED

RECORD OF ISSUE

SCALE

DRG No.

SHEET

1 OF 1

--	--	--	--	--	--	--	--