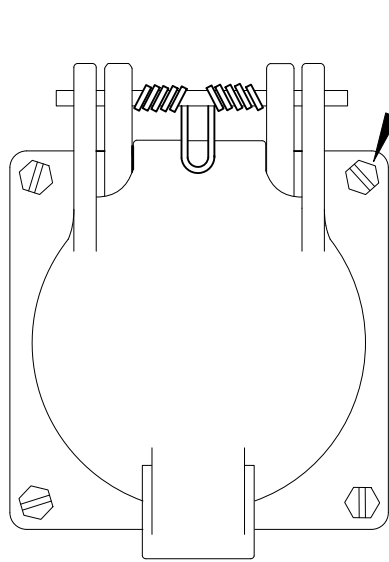
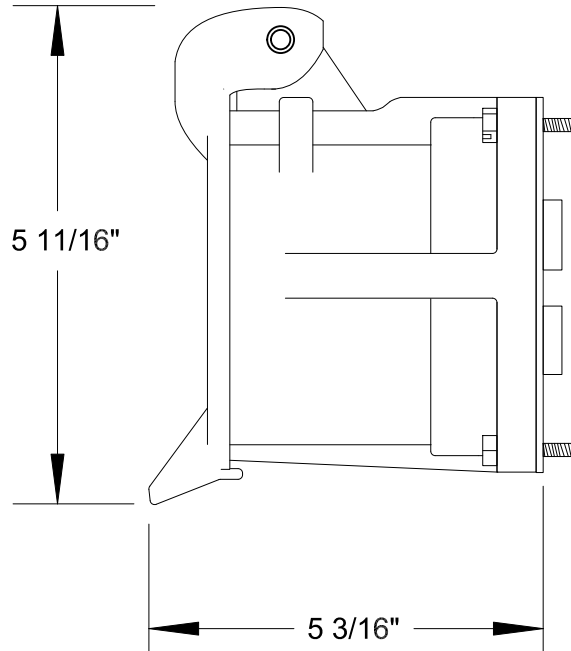


QUELARC[®] 100 AMP 600 VAC

4 POLE 4 WIRE
SOLDER CONTACTS



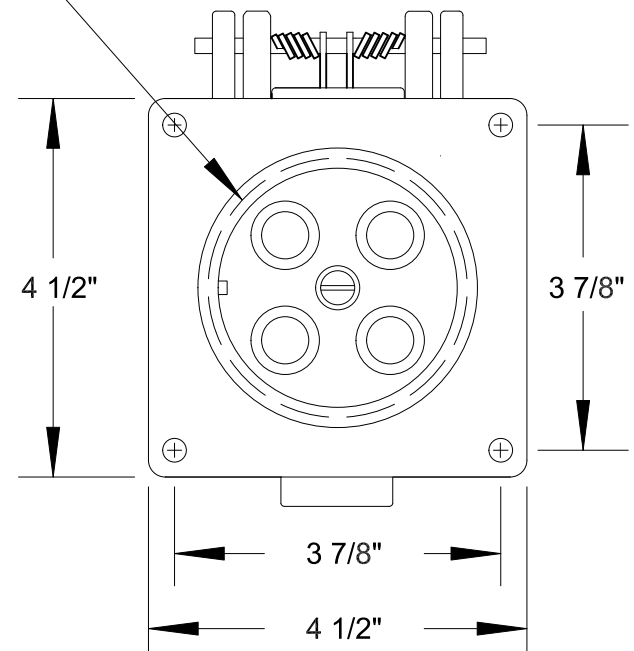
1/4" - 20



5 11/16"

5 3/16"

BORE OF PANEL
3 15/32"



4 1/2"

3 7/8"

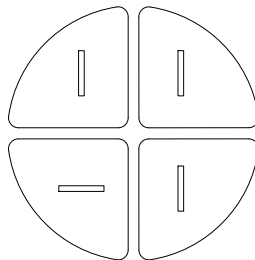
3 7/8"

4 1/2"

To order contact:
HILLCREST ENTERPRISES, INC.
 11092 AIR PARK ROAD
 ASHLAND, VA 23005 USA

Phone: 804-798-8390
 Fax: 804-752-7830

<http://www.pylenational.co>
<http://www.plugs.cc>



RECEPTACLE FACE

DRAWING NOT TO SCALE

DRAWN BY NVS

HILLCREST ENTERPRISES

APPROVED 3/15

KRC-4100

ISSUED

RECORD OF ISSUE

SCALE

DRG No.

SHEET

1 OF 1

1

2

3

4

5

1

2

3

4

5

A

B

C

D

A

B

C

D