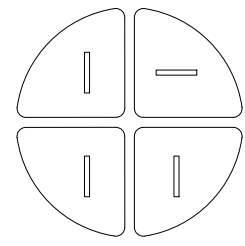
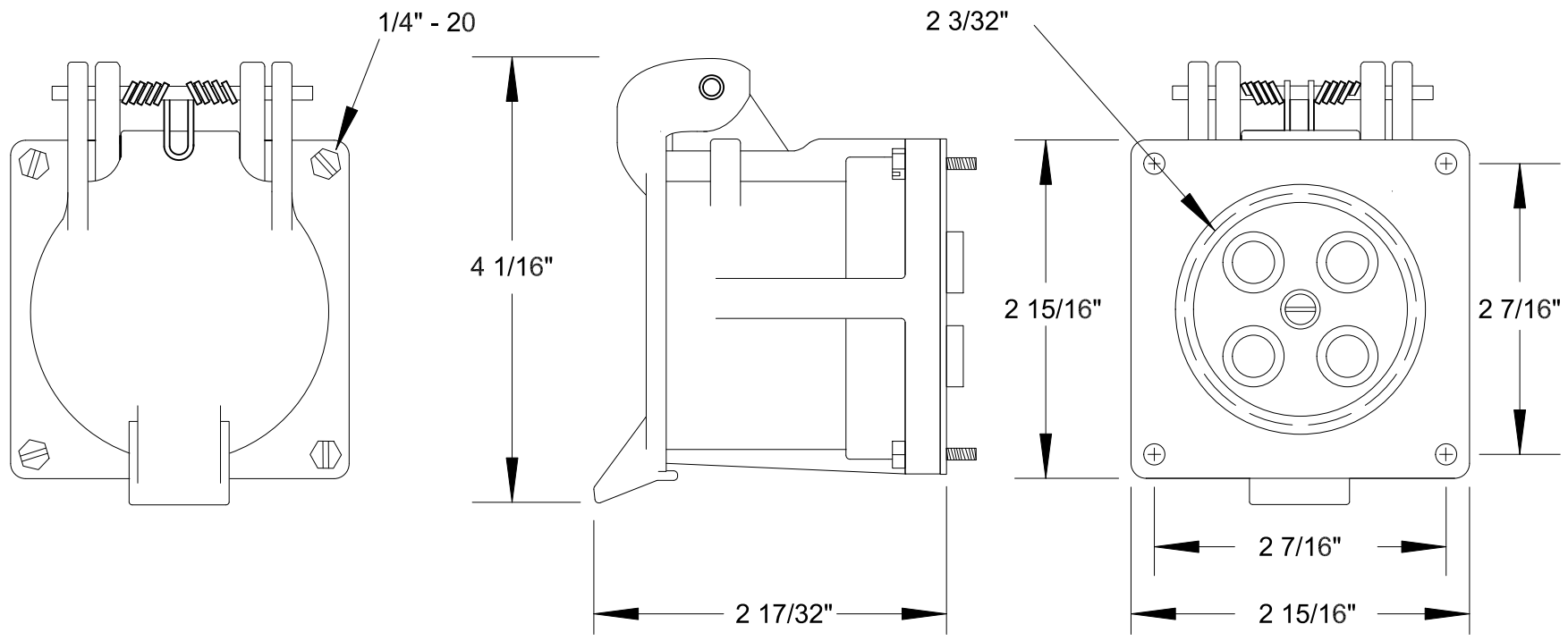


# QUELARC<sup>®</sup> 30 AMP 600 VAC

4 POLE 4 WIRE
SOLDER CONTACTS



RECEPTACLE FACE  
DRAWING NOT TO SCALE

To order contact:  
HILLCREST ENTERPRISES, INC.  
11092 AIR PARK ROAD  
ASHLAND, VA 23005 USA

Phone: 804-798-8390  
Fax: 804-752-7830

<http://www.pylenational.co>  
<http://www.plugs.cc>

DRAWN BY	NVS	HILLCREST ENTERPRISES		
APPROVED	3/15	<b>KRC-430</b>		
ISSUED				
RECORD OF ISSUE		SCALE	DRG No.	SHEET
				1 OF 1