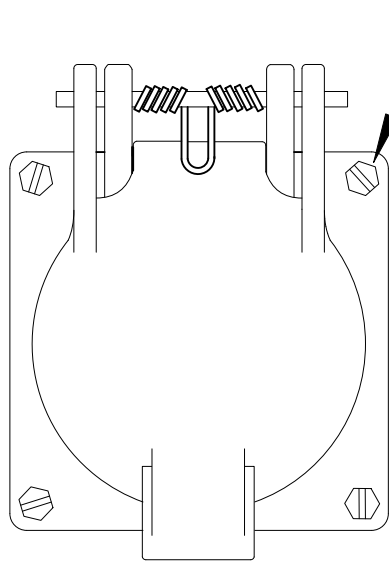
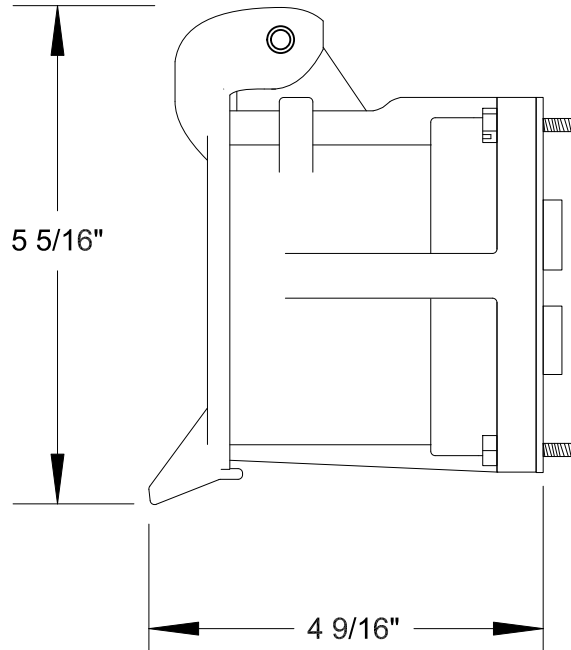


QUELARC[®] 60 AMP 600 VAC

4 POLE 4 WIRE
SOLDER CONTACTS



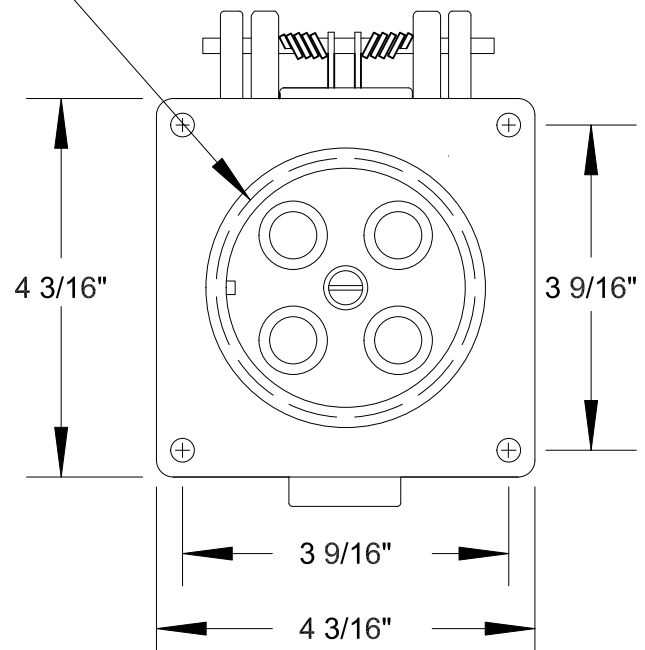
1/4" - 20



5 5/16"

4 9/16"

BORE OF PANEL
3 5/32"

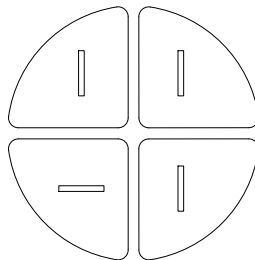


4 3/16"

3 9/16"

3 9/16"

4 3/16"



RECEPTACLE FACE

DRAWING NOT TO SCALE

To order contact:
HILLCREST ENTERPRISES, INC.
11092 AIR PARK ROAD
ASHLAND, VA 23005 USA

Phone: 804-798-8390
Fax: 804-752-7830

<http://www.pylenational.co>
<http://www.plugs.cc>

DRAWN BY	NVS
APPROVED	3/15
ISSUED	
RECORD OF ISSUE	

 HILLCREST ENTERPRISES

KRC-460

SCALE	DRG No.	SHEET
		1 OF 1