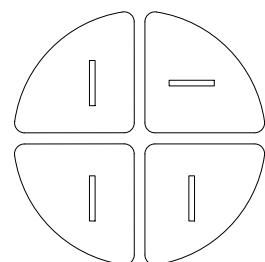
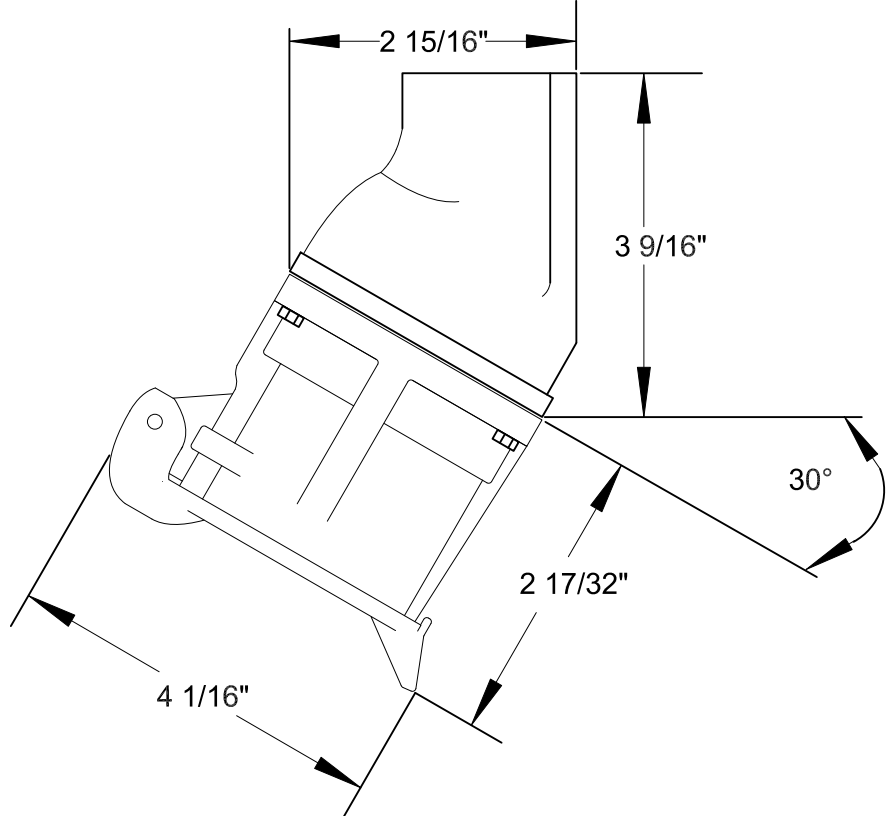
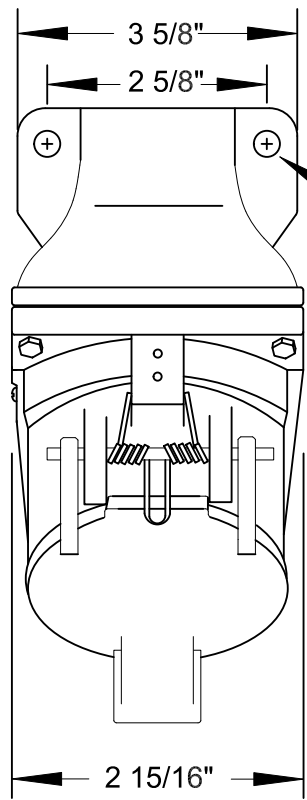


# QUELARC<sup>®</sup> 30 AMP 600 VAC

4 POLE 4 WIRE
SOLDER CONTACTS
3/4" NPT



RECEPTACLE FACE

DRAWING NOT TO SCALE

To order contact:  
**HILLCREST ENTERPRISES, INC.**  
 11092 AIR PARK ROAD  
 ASHLAND, VA 23005 USA

Phone: 804-798-8390  
 Fax: 804-752-7830

<http://www.pylenational.co>  
<http://www.plugs.cc>

DRAWN BY	NVS	HILLCREST ENTERPRISES		
APPROVED	4/14	<b>KRCBB-23046</b>		
ISSUED				
RECORD OF ISSUE		SCALE	DRG No.	SHEET
				1 OF 1