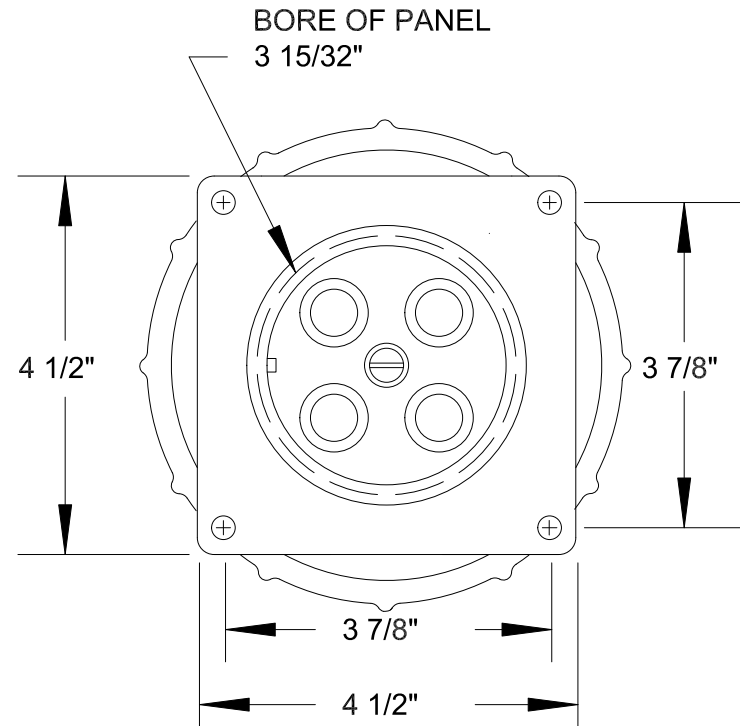
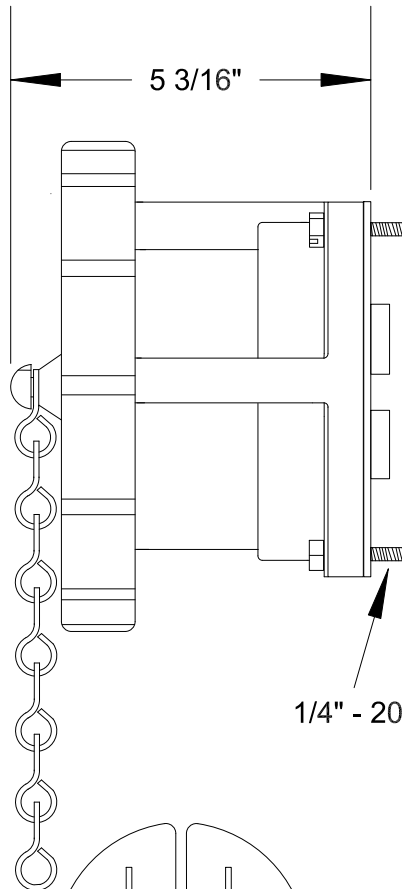


QUELARC[®] 100 AMP 600 VAC

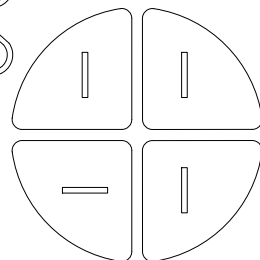
4 POLE 4 WIRE
SOLDER CONTACTS



To order contact:
HILLCREST ENTERPRISES, INC.
11092 AIR PARK ROAD
ASHLAND, VA 23005 USA


Phone: 804-798-8390
Fax: 804-752-7830

<http://www.pylenational.co>
<http://www.plugs.cc>



RECEPTACLE FACE

DRAWING NOT TO SCALE

DRAWN BY	NVS	 HILLCREST ENTERPRISES		
APPROVED	3/15	KRE-4100		
ISSUED				
RECORD OF ISSUE		SCALE	DRG No.	SHEET
				1 OF 1