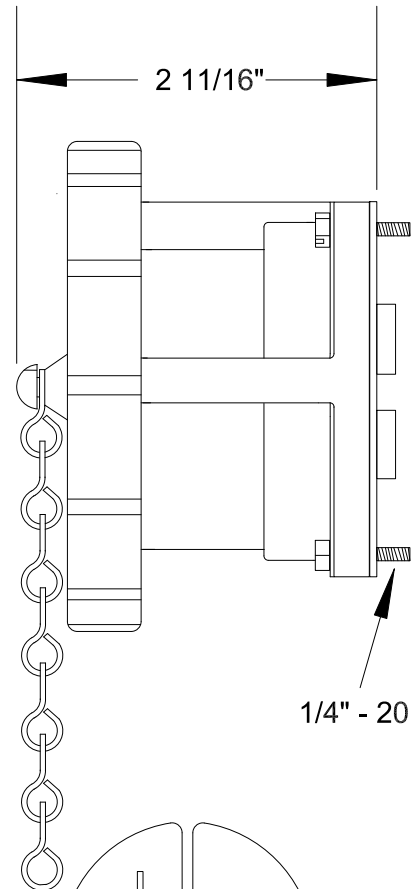


QUELARC[®] 30 AMP 600 VAC

4 POLE 4 WIRE
SOLDER CONTACTS

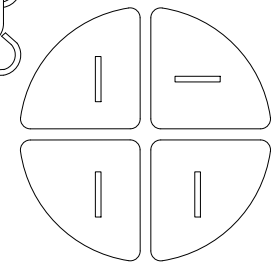


3 7/16"



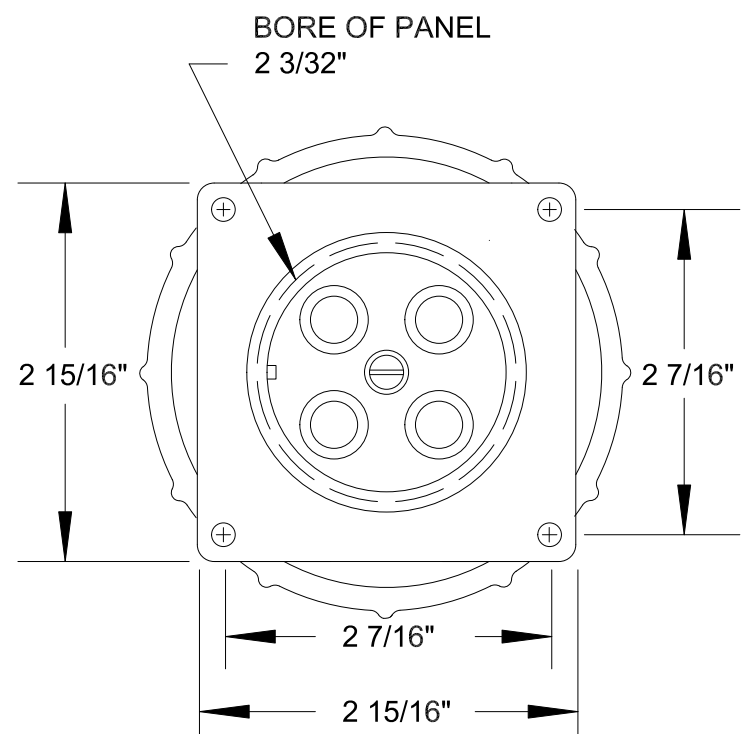
2 11/16"

1/4" - 20



RECEPTACLE FACE

DRAWING NOT TO SCALE



BORE OF PANEL
2 3/32"

2 15/16"

2 7/16"

2 7/16"

2 15/16"

To order contact:
HILLCREST ENTERPRISES, INC.
11092 AIR PARK ROAD
ASHLAND, VA 23005 USA

Phone: 804-798-8390
Fax: 804-752-7830

<http://www.pylonational.co>
<http://www.plugs.cc>

DRAWN BY	NVS	HILLCREST ENTERPRISES		
APPROVED	3/15	KRE-430		
ISSUED				
RECORD OF ISSUE		SCALE	DRG No.	SHEET
				1 OF 1