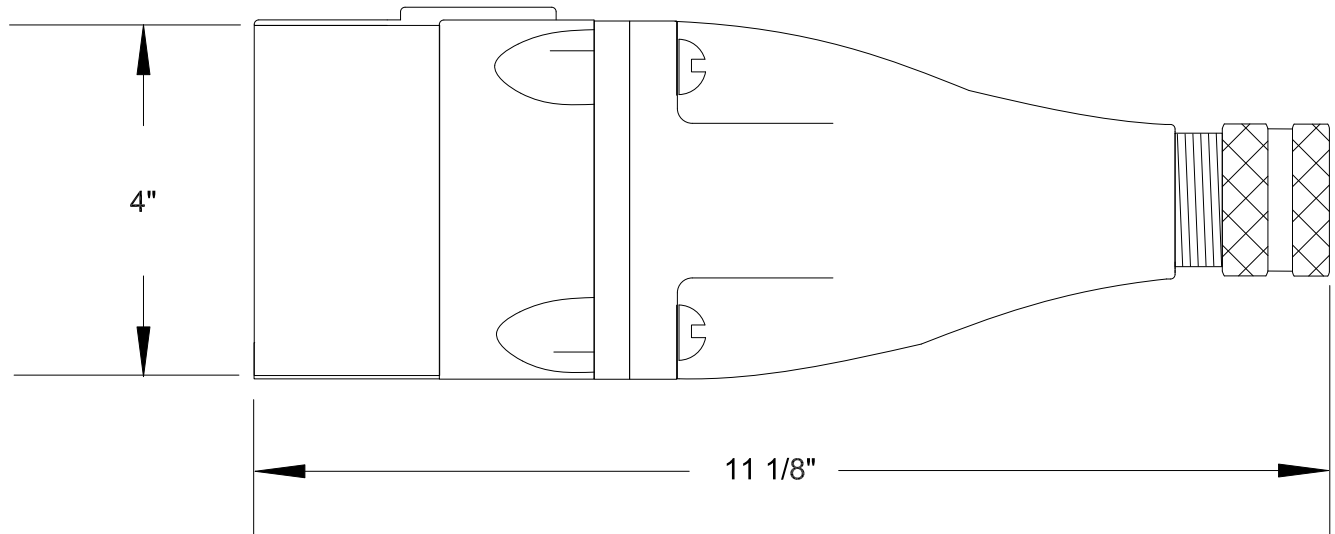
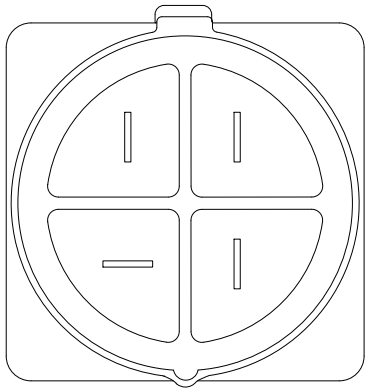


# QUELARC<sup>®</sup> 100 AMP 600 VAC

4 POLE 4 WIRE
SOLDER CONTACTS
1.000" TO 1.375" CABLE RANGE



To order contact:  
**HILLCREST ENTERPRISES, INC.**  
 11092 AIR PARK ROAD  
 ASHLAND, VA 23005 USA

Phone: 804-798-8390  
 Fax: 804-752-7830

<http://www.pylenational.co>  
<http://www.plugs.cc>

DRAWING NOT TO SCALE

DRAWN BY	NVS
APPROVED	2/15
ISSUED	
RECORD OF ISSUE	

 **HILLCREST ENTERPRISES**

**KWPD-1110046**

SCALE	DRG No.	SHEET
		1 OF 1

1

2

3

4

5

A

B

C

D

A

B

C

D

1

2

3

4

5